



SUPERPOWER PUMP

**LIGHT SUBMERSIBLE
SEWAGE & DEWATERING PUMPS**

**Pumps
Catalogue**



**40th
Anniversary**

Superpower Pumping Engineering, established in 1977, engages mainly in water pumping design, manufacturing, installation and maintenance businesses. Having existed in the industry for over 30 years, Superpower is known to be the first company in Hong Kong that connected water pump designing, manufacturing, production, installation, maintenance and 24 hours emergency services.

Aiming to pursue high quality products and services to its valuable customers, and with the support from its parent company, Superpower invests substantial resources in product design, research and enhancement, human resources and business development. Such move will help satisfying customers' needs and ensuring the operation of water supply runs smoothly and will not be affected by external interruption.

Its continued dedication to the industry has enabled Superpower to earn accolades from the trade. In 2001, the award of ISO 9001:2000 certification by SGS, United Kingdom further proved its commitment leads to winning international acclaims and building a solid reputation.

Water pumps is the core product of the Company's manufacturing arm. Today, Superpower's different materials and functional pumps produced for the residential and commercial buildings are ranked as the most popular items in the market. The name of Superpower represents quality water pump and ranks the best selling items in the market.

Today, Superpower employs more than 60 staff overseeing water supply system for over 1000 properties in Hong Kong to provide better after sale services, including luxurious residences, large-scale residential estates, shopping malls, offices, hotels, schools, as well as property management companies. Superpower Pumps installed in Hong Kong including the Benchmark properties such as International Commerce Centre, The Leighton Hill, Manhattan Hill, Dynasty Heights and Grand Promenade.

Apart from the above prestigious buildings, Superpower also serves for some of the prominent property developer as its customers, such as Sun Hung Kai Properties, Henderson Land Development and Sino Land etc.



International Commerce Centre

TABLE OF CONTENTS



SPZ SERIES
CONSTRUCTION DEWATERING PUMP
P. 4



SPZA SERIES
CONSTRUCTION DEWATERING PUMP
P. 5



SSN SERIES
SUBMERSIBLE DRAINAGE PUMP
P. 6



SSF SERIES
STAINLESS STEEL SWAGE PUMP
P. 7



SPA SERIES
STAINLESS STEEL DEWATERING PUMP
P. 8



SPG SERIES
STAINLESS STEEL SLURRY PUMP
P. 9



SPR SERIES
LOW LEVEL SEWAGE PUMP
P. 10



SPSR SERIES
SUBMERSIBLE DRAINAGE PUMP
P. 11



SPN SERIES
RESIDENTIAL SUMP PUMP
P. 12



SPSV SERIES
VORTEX SEWAGE PUMP
P. 13



SPLU SERIES
SUBMERSIBLE PUMP
P. 14

SPZ SERIES

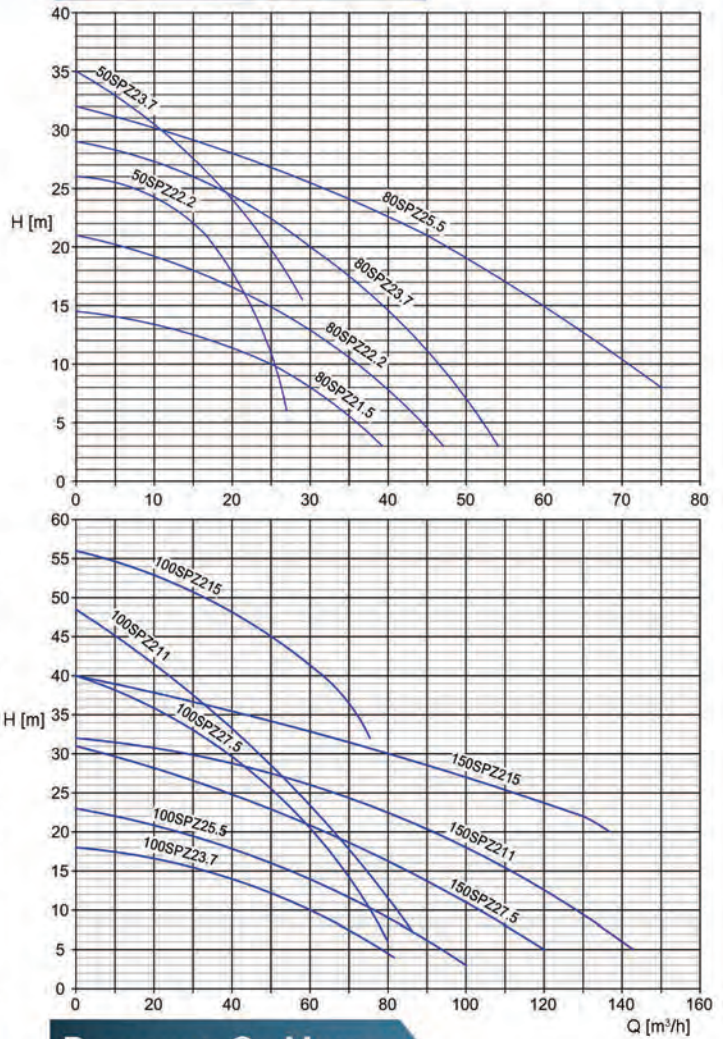


50SPZ22.2 ~
150SPZ215

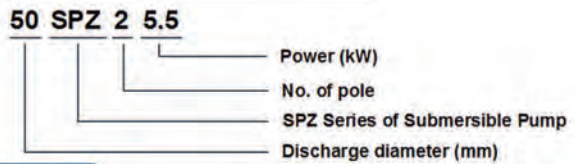
SPECIFICATION

Pump	Discharge Diameter (mm)	50 · 80 · 100 · 150	
	Type of Liquid	Construction Sites · Basins Dewatering	
	Temperature	0°C ~ 40°C	
	Maximum Depth	25m	
	Structure	Impeller	Semi-open
		Mechanical Seal	Double mechanical seal
Bearing		Ball type bearing	
Material	Casing	Cast Iron	
	Impeller	Ductile Iron / High Chrome Alloy	
	Shaft	Stainless Steel	
	Mechanical Seal	Sic-Sic / Carbon-Sic (2.2kW) Sic-Sic / Sic-Sic (3.7kW~15kW)	
Motor	Type	Dry Motor	
	Pole	2 - Pole	
	Phase	3 Phase	
	Insulation	Class F	
	Frequency	50 Hz	
	Protector	Built in Auto-cut device.	

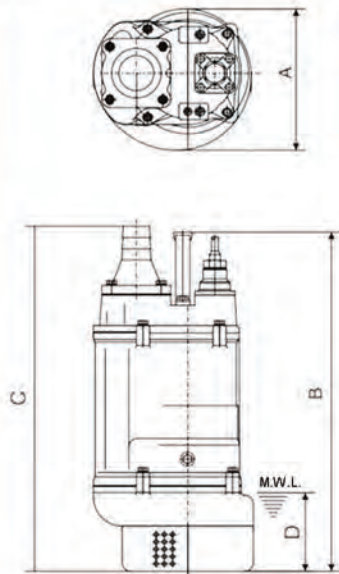
SELECTION CHART



DEFINITION OF MODEL



SECTIONAL DRAWING



DIMENSION & WEIGHT

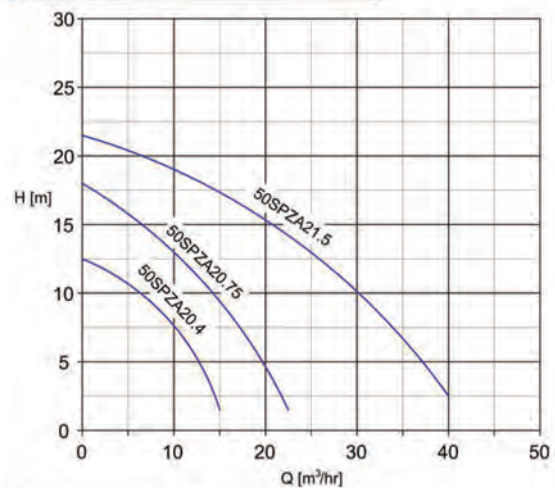
Discharge Dia. DN	Model	Power (kW)	No. of Pole	Phase (Φ)	Starting Method	Cable Length (m)	Solid Passage (mm)	Dimension (mm)					Weight (kg)
								A	B	C	D		
50	50SPZ22.2	2.2	2P	3Φ	DOL	8	9	216	486	517	120	39	
50	50SPZ23.7	3.7	2P	3Φ	DOL	8	9	252	638	628	150	65	
80	80SPZ21.5	1.5	2P	3Φ	DOL	8	9	216	486	517	120	37	
80	80SPZ22.2	2.2	2P	3Φ	DOL	8	9	216	486	517	120	39	
80	80SPZ23.7	3.7	2P	3Φ	DOL	8	9	252	638	628	150	65	
80	80SPZ25.5	5.5	2P	3Φ	DOL	8	9	259	598	671	150	84	
100	100SPZ23.7	3.7	2P	3Φ	DOL	8	9	252	638	642	150	66	
100	100SPZ25.5	5.5	2P	3Φ	DOL	8	9	259	598	686	150	85	
100	100SPZ27.5	7.5	2P	3Φ	DOL	8	12	314	676	764	190	114	
100	100SPZ211	11	2P	3Φ	DOL	8	12	350	695	807	190	140	
100	100SPZ215	15	2P	3Φ	DOL	8	12	350	755	842	190	153	
150	150SPZ27.5	7.5	2P	3Φ	DOL	8	20	314	676	790	190	114	
150	150SPZ211	11	2P	3Φ	DOL	8	20	350	695	807	190	143	
150	150SPZ215	15	2P	3Φ	DOL	8	20	350	755	842	190	156	

*The drawings are for reference only

SPZA SERIES



SELECTION CHART

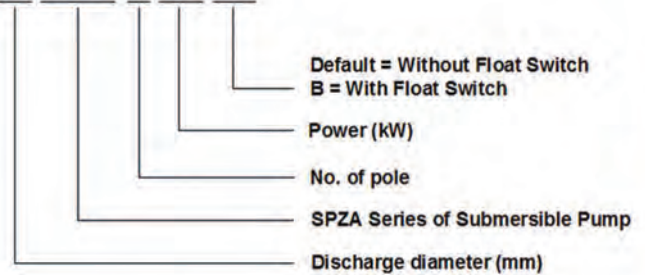


SPECIFICATION

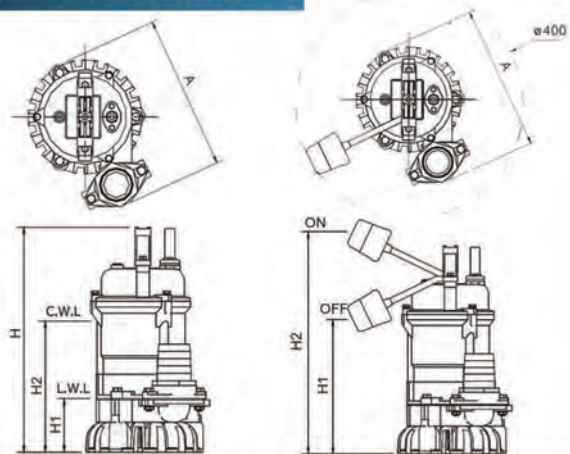
Pump	Model	SPZA Series	
	Discharge Diameter (mm)	50	
	Type of Liquid	Construction Sites · Basins Dewatering	
	Temperature	0°C ~ 40°C	
	Maximum Depth	10m	
	Structure	Impeller	Semi-open
		Mechanical Seal	Dual. mechanical seal
		Bearing	Ball type bearing
		Casing	Cast Iron
	Material	Impeller	Hytrel (Steel coated with thermoplastic polyester elastomer)
Shaft		Stainless Steel	
Mechanical Seal		Lower : Sic/Sic ; Upper : CA/CE	
Motor	Type	Dry Motor	
	Pole	2 - Pole	
	Phase	1 Phase / 3 Phase	
	Insulation	Class B	
	Frequency	50 Hz	
	Protector	Built in Auto-cut device	

DEFINITION OF MODEL

50 SPZA 2 1.5 B



SECTIONAL DRAWING



*The drawings are for reference only

DIMENSION & WEIGHT

Discharge Dia. DN	Model	Power (kW)	No. of Pole	Phase (Φ)	Starting Method	Cable Length (m)	Solid Passage (mm)	Dimension (mm)						Weight (kg)
								A	A1	A2	H	H1	H2	
50	50SPZA20.4	0.4	2P	1Φ/3Φ	DOL	10	6	243	94	117	352	84	200	12
50	50SPZA20.4B	0.4	2P	1Φ/3Φ	DOL	10	6	243	94	117	352	200	400	12.5
50	50SPZA0.75	0.75	2P	1Φ/3Φ	DOL	10	6	279	94	133	377	84	225	15
50	50SPZA0.75B	0.75	2P	1Φ/3Φ	DOL	10	6	279	94	133	377	225	425	15.5
50	50SPZA21.5	1.5	2P	1Φ/3Φ	DOL	10	6	313	107	155	464	94	308	19
50	50SPZA21.5B	1.5	2P	1Φ/3Φ	DOL	10	6	313	107	155	464	294	494	19.5

SSN SERIES

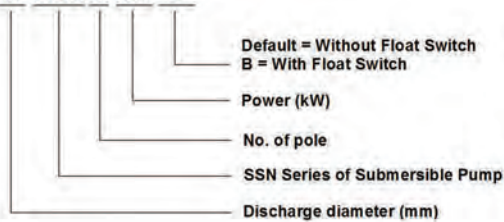


SPECIFICATION

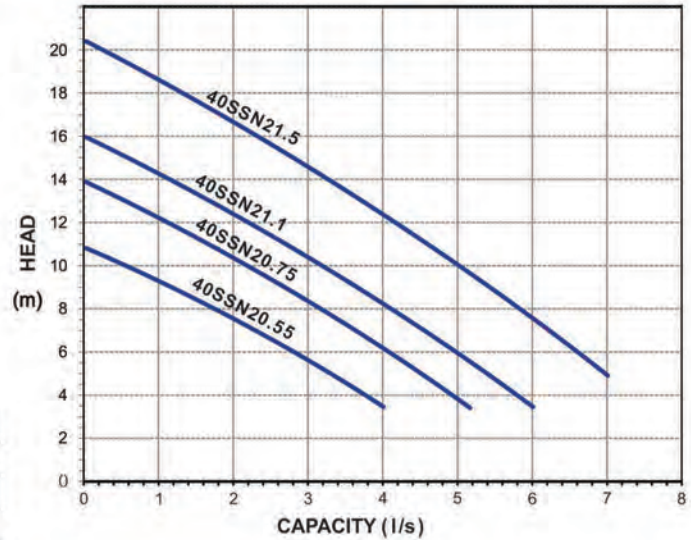
Pump	Discharge Diameter (mm)	40	
	Type of Liquid	Clean water from basement & garages	
	Temperature	0°C ~ 35°C	
	Maximum Depth	7m	
	Structure	Impeller	Open
		Mechanical Seal	Double mechanical seal
		Bearing	Ball type bearing
	Material	Casing	Stainless Steel 304
		Impeller	Stainless Steel 304
		Shaft	Stainless Steel 304
Mechanical Seal		Silicon Carbide	
Protector	Thermal Protector (1-ph)		
Motor	Type	Dry Motor	
	Pole	2 - Pole	
	Phase	1 Phase / 3 Phase	
	Insulation	Class F	
	Protection	IP68	
	Frequency	50 Hz	
	Protector	Built in Auto-cut device	

DEFINITION OF MODEL

40 SSN 2 1.5 B



SELECTION CHART



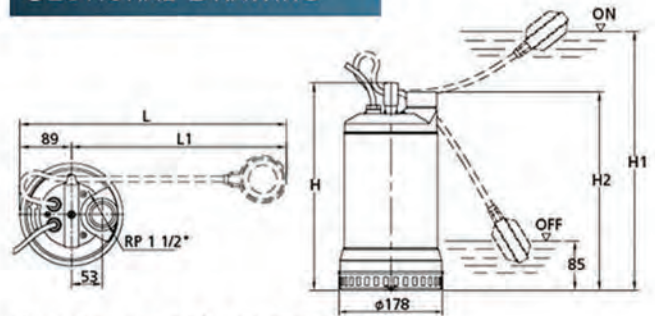
FEATURES

- Fully made in stainless steel 304
- Double mechanical seal in Silicon Carbide and V ring oil seal
- Suction flange line with thermoplastic polyurethane for increased resistance to abrasion
- Suspended solids handled up to 8mm
- Thermal protector embedded in the winding (single phase)

APPLICATIONS

- Drainage of cellars, basements, garages
- Emptying of tanks and reservoirs - irrigation of lawn & garden
- Pumping of domestic grey water, washing machines & showers

SECTIONAL DRAWING



*The drawings are for reference only

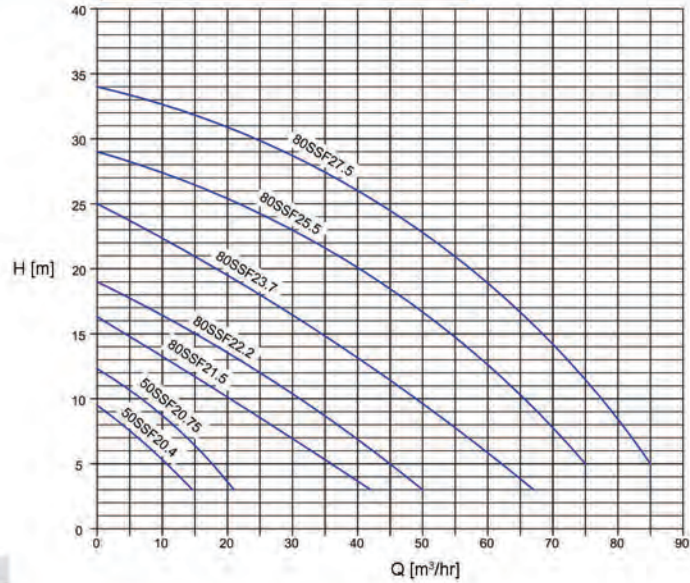
DIMENSION & WEIGHT

Discharge Dia.	Model	Power (kW)	No. of Pole	Phase (Φ)	Cable Length (m)	Solid Passage (mm)	Dimension (mm)					Weight (kg)
							H	H1	H2	L	L1	
40	40SSN20.55B	0.55	2P	1Φ	10	8	357	437	341	459	370	11.5
40	40SSN20.75B	0.75	2P	1Φ	10	8	407	497	391	514	425	14.5
40	40SSN21.1B	1.1	2P	1Φ	10	8	407	497	391	514	425	16.5
40	40SSN21.5	1.5	2P	3Φ	10	8	407	-	-	391	-	16

SSF SERIES



SELECTION CHART

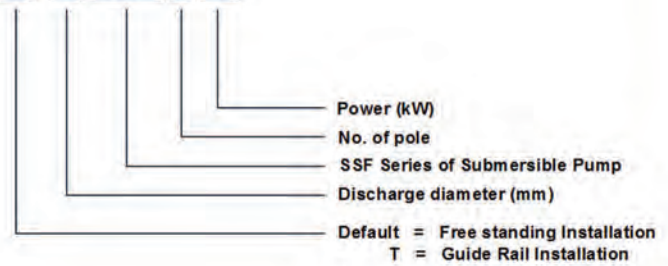


SPECIFICATION

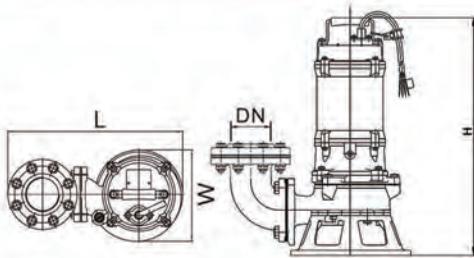
Pump	Discharge Diameter (mm)	50 · 80
	Type of Liquid	Waste water & sewage water
	Temperature	0°C ~ 40°C
	Maximum Depth	30m
	Structure	Impeller
	Mechanical Seal	Double mechanical seal
	Bearing	Ball type bearing
Material	Casing	Stainless Steel 316
	Impeller	Stainless Steel 316
	Shaft	Stainless Steel 316
	Mechanical Seal	Sic / Sic
Motor	Type	Dry Motor
	Pole	2 - Pole
	Phase	1Phase / 3 Phase
	Insulation	Class F / Class B
	Frequency	50 Hz
	Protector	Built in Auto-cut device

DEFINITION OF MODEL

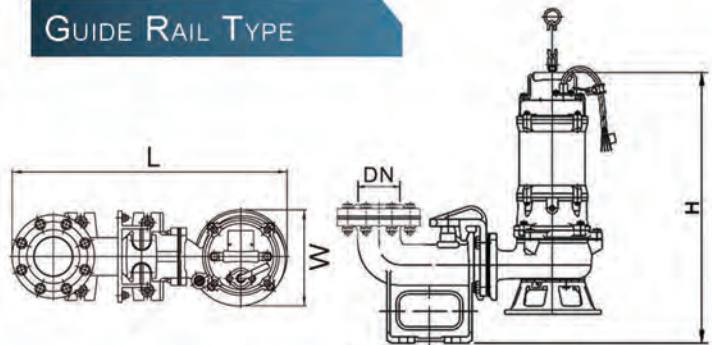
T 80 SSF 2 2.2



FREE STANDING TYPE



GUIDE RAIL TYPE



*The drawings are for reference only

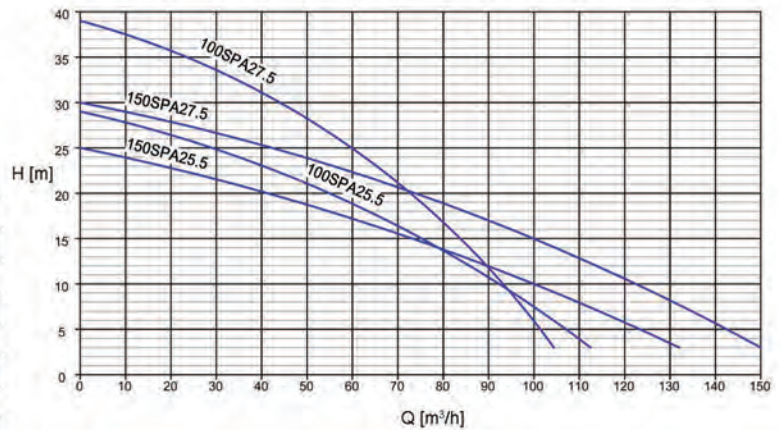
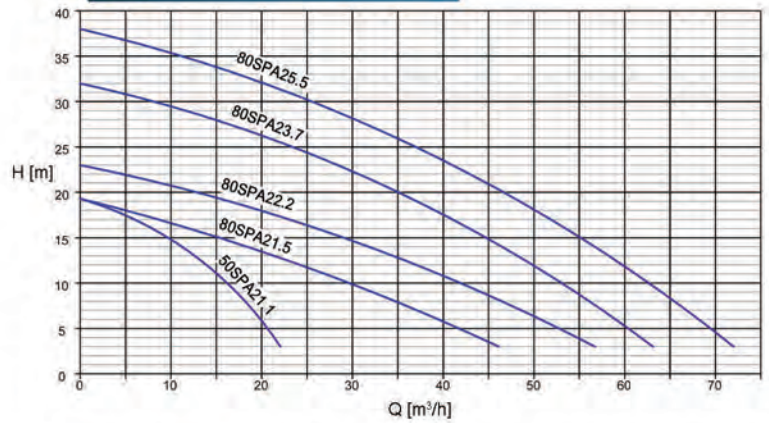
DIMENSION & WEIGHT

Discharge Dia.	Model		Power (kW)	No. of Pole	Phase (Φ)	Starting Method	Cable Length (m)	Solid Passage (mm)	Free Standing Dimension (mm)				Guide Rail Dimension (mm)			
	Free Standing Installation	Guide Rail Installation							L	W	H	Weight (kg)	L	W	H	Weight (kg)
50	50SSF20.4	T50SSF20.4	0.4	2P	1Φ/3Φ	DOL	5	35	237	153	433	15	417	153	453	24
50	50SSF20.75	T50SSF20.75	0.75	2P	1Φ/3Φ	DOL	8	35	237	153	433	16	417	153	453	25
80	80SSF21.5	T80SSF21.5	1.5	2P	3Φ	DOL	8	50	402	202	517	27	567	202	618	46
80	80SSF22.2	T80SSF22.2	2.2	2P	3Φ	DOL	8	50	402	202	517	29	567	202	618	48
80	80SSF23.7	T80SSF23.7	3.7	2P	3Φ	DOL	8	50	476	222	561	40	662	222	658	62
80	80SSF25.5	T80SSF25.5	5.5	2P	3Φ	Y / Δ	10	50	499	258	657	61	768	258	754	86
80	80SSF27.5	T80SSF27.5	7.5	2P	3Φ	Y / Δ	10	50	499	258	657	67	768	258	754	92

SPA SERIES



SELECTION CHART

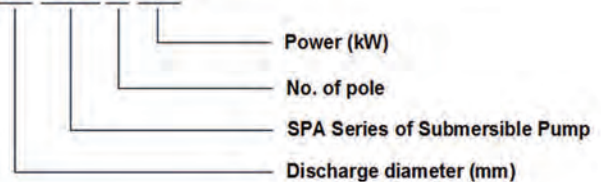


SPECIFICATION

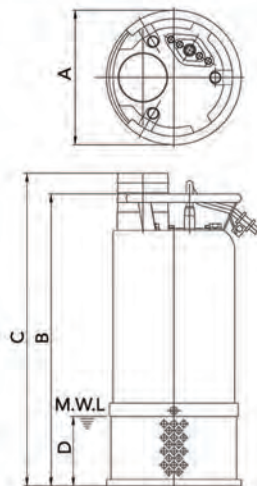
Pump	Discharge Diameter (mm)	50 · 80 · 100 · 150	
	Type of Liquid	Construction Sites · Basins Dewatering	
	Temperature	0°C ~ 40°C	
	Maximum Depth	30m	
	Structure	Impeller	Enclosed Channel / Semi-open
		Mechanical Seal	Double mechanical seal
Bearing		Ball type bearing	
Material	Outer Cover	Stainless Steel 304	
	Upper Cover	Cast Iron	
	Impeller	High Chrome Alloy	
	Shaft	Stainless Steel	
	Mechanical Seal	Lower: Sic/Sic ; Upper: CA/CE	
Motor	Type	Dry Motor	
	Pole	2 - Pole	
	Phase	1 Phase / 3 Phase	
	Insulation	Class F / Class B	
	Frequency	50 Hz	
	Protector	Built in Auto-cut device	

DEFINITION OF MODEL

80 SPA 2 5.5



SECTIONAL DRAWING



DIMENSION & WEIGHT

Discharge Dia.	Model	Power (kW)	No. of Pole	Phase (Φ)	Starting Method	Cable Length (m)	Solid Passage (mm)	Dimension (mm)				Weight (kg)
								A	B	C	D	
50	50SPA21.1	1.1	2P	1Φ/3Φ	DOL	5	8	210	431/372	482/423	85	28/24
80	80SPA21.5	1.5	2P	1Φ/3Φ	DOL	8	10	235	465/421	511/466	115	40/36
80	80SPA22.2	2.2	2P	1Φ/3Φ	DOL	8	10	235	496/421	541/466	115	45/39
80	80SPA23.7	3.7	2P	3Φ	DOL	8	10	235	451	496	115	44
80	80SPA25.5	5.5	2P	3Φ	Y / Δ	8	10	286	550	610	130	72
100	100SPA25.5	5.5	2P	3Φ	Y / Δ	8	10	286	550	610	130	75
100	100SPA27.5	7.5	2P	3Φ	Y / Δ	8	10	286	550	610	130	80
150	150SPA25.5	5.5	2P	3Φ	Y / Δ	8	10	286	550	610	130	78
150	150SPA27.5	7.5	2P	3Φ	Y / Δ	8	10	286	550	610	130	81

- ※ Optional Discharge Connection: Hose, Flange, and Thread Connection
- ※ The pump with 1.1kW to 2.2kW motor can be equipped with float switch upon request.

*The drawings are for reference only

SPG SERIES

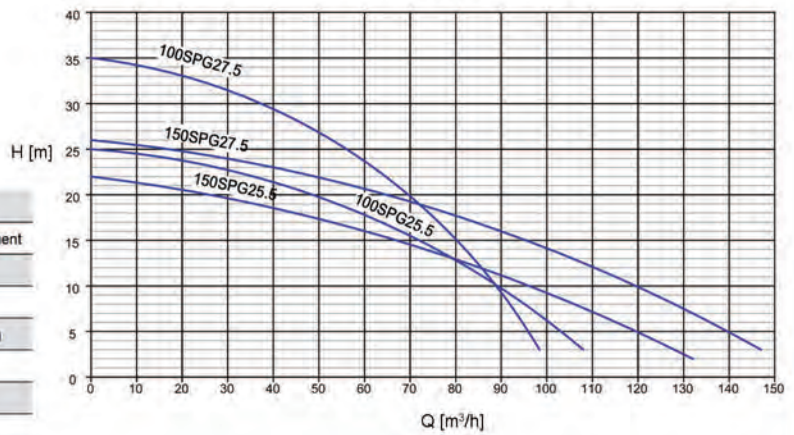
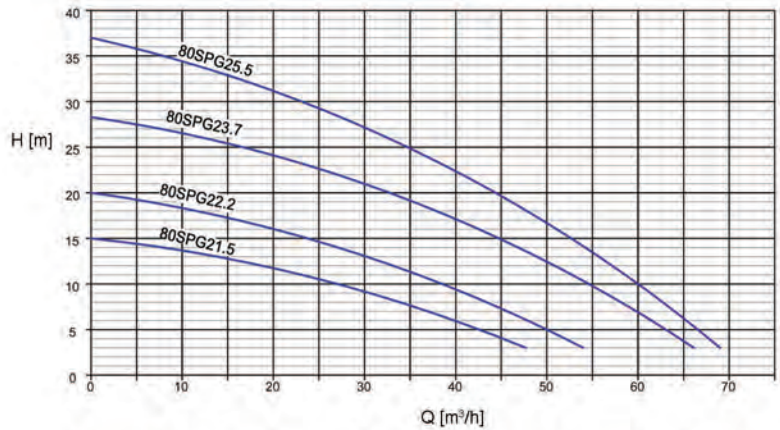


Agitator



Stirring Action

SELECTION CHART

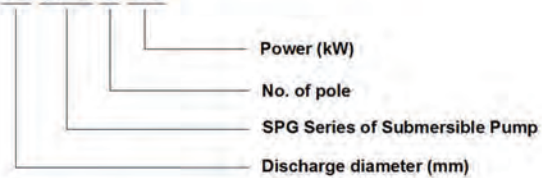


SPECIFICATION

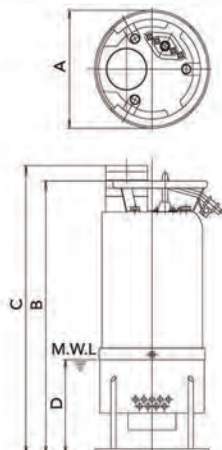
Pump	Discharge Diameter (mm)	80 • 100 • 150	
	Type of Liquid	Dewatering fluid containing solid sediment	
	Temperature	0°C ~ 40°C	
	Maximum Depth	30m	
	Structure	Impeller	Enclosed Channel / Semi-open
		Mechanical Seal	Double mechanical seal
Bearing		Ball type bearing	
Material	Outer Cover	Stainless Steel 304	
	Upper Cover	Cast Iron	
	Impeller	High Chrome Alloy	
	Shaft	Stainless Steel	
Mechanical Seal	Lower: Sic/Sic ; Upper: CA/CE		
Motor	Type	Dry Motor	
	Pole	2 - Pole	
	Phase	1 Phase / 3 Phase	
	Insulation	Class F / Class B	
	Frequency	50 Hz	
	Protector	Built in Auto-cut device	

DEFINITION OF MODEL

80 SPG 2 5.5



SECTIONAL DRAWING



*The drawings are for reference only

DIMENSION & WEIGHTS

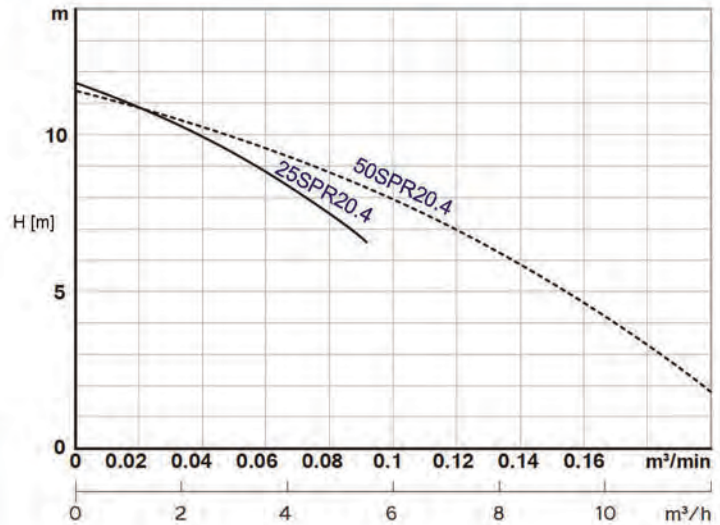
Discharge Dia. DN	Model	Power (kW)	No. of Pole	Phase (Φ)	Starting Method	Cable Length (m)	Solid Passage (mm)	Dimension (mm)				
								A	B	C	D	Weight (kg)
80	80SPG21.5	1.5	2P	1Φ/3Φ	DOL	8	10	260	546/502	592/547	195	41/36
80	80SPG22.2	2.2	2P	1Φ/3Φ	DOL	8	10	260	577/502	622/547	195	45/40
80	80SPG23.7	3.7	2P	3Φ	DOL	8	10	260	532	577	195	45
80	80SPG25.5	5.5	2P	3Φ	Y / Δ	8	10	318	623	683	200	73
100	100SPG25.5	5.5	2P	3Φ	Y / Δ	8	10	318	623	683	200	76
100	100SPG27.5	7.5	2P	3Φ	Y / Δ	8	10	318	623	683	200	81
150	150SPG25.5	5.5	2P	3Φ	Y / Δ	8	10	318	623	683	200	79
150	150SPG27.5	7.5	2P	3Φ	Y / Δ	8	10	318	623	683	200	82

※Optional Discharge Connection: Hose, Flange, and Thread Connection

SPR SERIES



SELECTION CHART



SPECIFICATION

Pump	Discharge Diameter (mm)	25 · 50	
	Type of Liquid	Waste water & drainage water	
	Temperature	0°C ~ 40°C	
	Maximum Depth	10m	
	Structure	Impeller	Semi-open
		Mechanical Seal	Double mechanical seal
		Bearing	Ball type bearing
	Material	Casing	Synthetic rubber
		Impeller	Urethane rubber + SPCC
Shaft		Stainless Steel	
Mechanical Seal		CA/CE & Sic/Sic	
Motor	Type	Dry Motor	
	Pole	2 - Pole	
	Phase	1 Phase	
	Frequency	50 Hz	
	Insulation	Class B	
	Protection	IP68	
	Protector	Built in Auto-cut device	

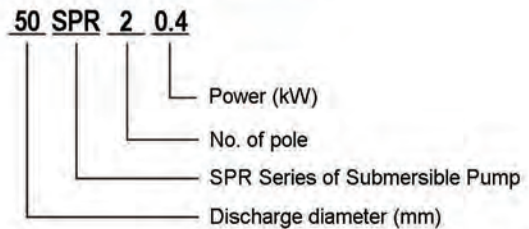
FEATURES

- A water cooling motor with rubber suction pads for residual removal as low as 1mm.
- The best pump for removing water from flat surfaces because of its portability and light weight.

APPLICATIONS

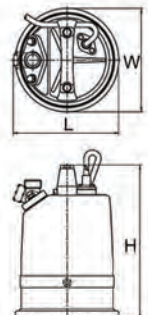
- Basement / Pool / Pond Water Removal
- Residential, Commercial Residue Dewatering

DEFINITION OF MODEL



DIMENSION & WEIGHT

Discharge Dia.	Model	Power (kW)	No. of Pole	Phase (Φ)	Starting Method	Solid Passage (mm)	Dimension			
							L	W	H	Weight (kg)
DN 25	25SPR20.4	0.4	2P	1Φ	DOL	1.5	209	205	304	12
50	50SPR20.4	0.4	2P	1Φ	DOL	1.5	240	205	304	12

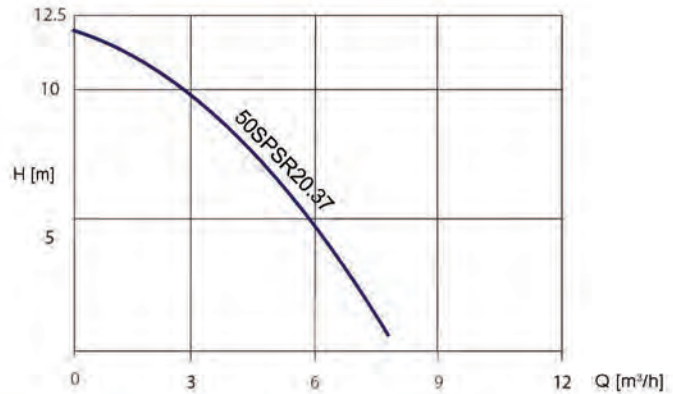


*The drawings are for reference only

SPSR SERIES



SELECTION CHART



SPECIFICATION

Pump	Discharge Diameter (mm)	50	
	Type of Liquid	Construction Sites • Basins Dewatering	
	Temperature	0°C ~ 40°C	
	Maximum Depth	10m	
	Structure	Impeller	Semi-open
		Mechanical Seal	Double mechanical seal
		Bearing	Ball type bearing
Material	Casing	Cast Iron	
	Impeller	Hytel (Steel coated with thermoplastic polyester elastomer)	
	Shaft	Stainless Steel	
	Mechanical Seal	Lower: Sic / Sic ; Upper: CA / CE	
Motor	Type	Dry Motor	
	Pole	2 - Pole	
	Phase	1 Phase / 3 Phase	
	Frequency	50 Hz	
	Insulation	Class B	
	Protection	IP68	
Protector	Built in Auto-cut device		

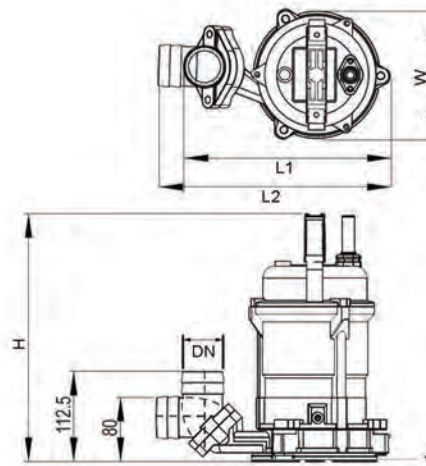
FEATURES

- Submersible single-phase portable residue drainage pump.
- Rubber lined base plate protects the floor surface from scratching.
- The water parts are made of abrasion-resistant materials.

APPLICATIONS

- Residential, commercial, industrial dewatering and site drainage.
- Construction sites and civil engineering projects.
- Basement, parking lots, removing residue water.

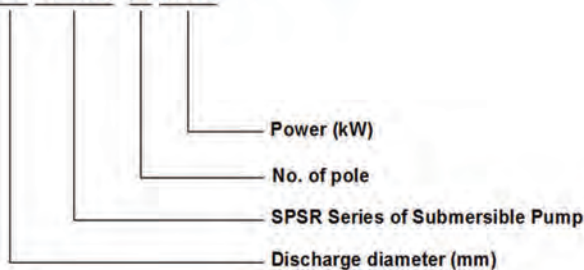
SECTIONAL DRAWING



- Pumping water can down to minimum level 1mm
 - Discharge direction is selectable between vertical(L1) and horizontal(L2)
- *The drawings are for reference only

DEFINITION OF MODEL

50 SPSR 2 0.37



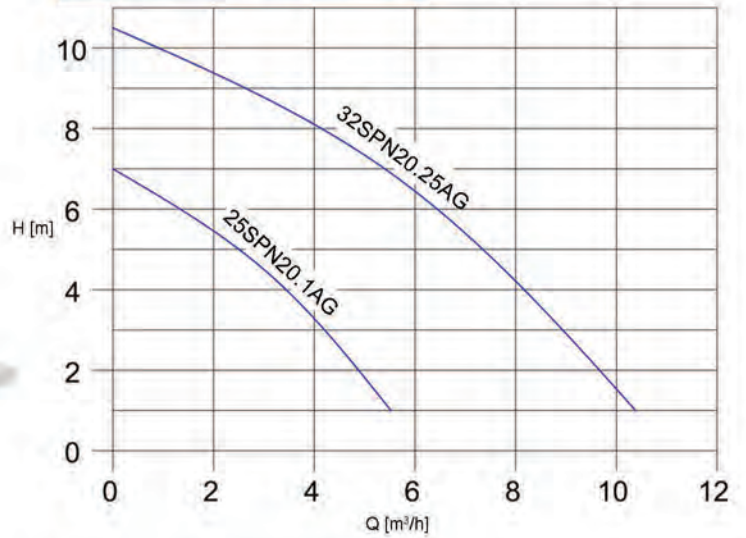
DIMENSION & WEIGHT

Discharge Dia.	Model	Power (kW)	No. of Pole	Phase (Φ)	Starting Method	Cable Length (m)	Solid Passage (mm)	Dimension				Weight (kg)
								L1	L2	W	H	
50	50SPSR20.37	0.37	2P	1Φ/3Φ	DOL	5	3	259	290.5	159.1	309.5	11

SPN SERIES



SELECTION CHART

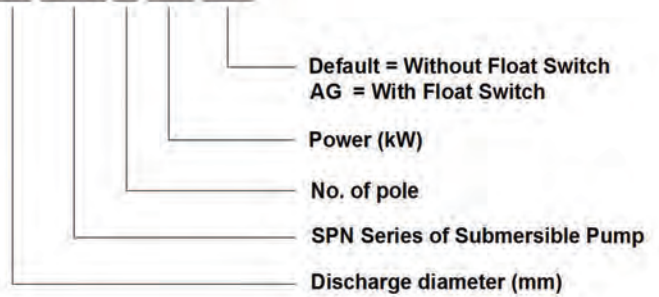


SPECIFICATION

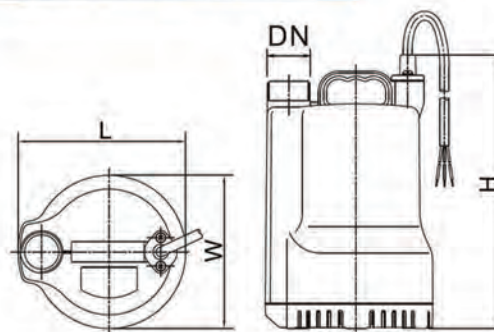
Pump	Discharge Diameter (mm)	25 · 32	
	Type of Liquid	Clean / Dirty water from sumps, basins & tanks	
	Temperature	0°C ~ 40°C	
	Maximum Depth	10m	
	Structure	Impeller	Semi-open, Non-clog
		Mechanical Seal	Mechanical seal
		Bearing	Ball type bearing
Material	Casing	ASA / PP	
	Impeller	ABS / PA	
	Shaft	Stainless Steel	
	Mechanical Seal	CA / CE	
	Type	Dry Motor	
Motor	Pole	2 - Pole	
	Phase	1 Phase	
	Proection	IP68	
	Frequency	50 Hz	
	Insulation	Class B	
	Protector	Overheat protector	

DEFINITION OF MODEL

25 SPN 2 0.1 AG



SECTIONAL DRAWING



*The drawings are for reference only

DIMENSION & WEIGHT

Discharge Dia.	Model	Power (kW)	No. of Pole	Phase (Φ)	Starting Method	Cable Length (m)	Solid Passage (mm)	Free Standing Dimension (mm)			
								L	W	H	Weight (kg)
25	25SPN20.1AG	0.1	2P	1Φ	DOL	5	4	164	153	256	4
32	32SPN20.25AG	0.25	2P	1Φ	DOL	5	4	164	150	300	4.1

SPSV SERIES

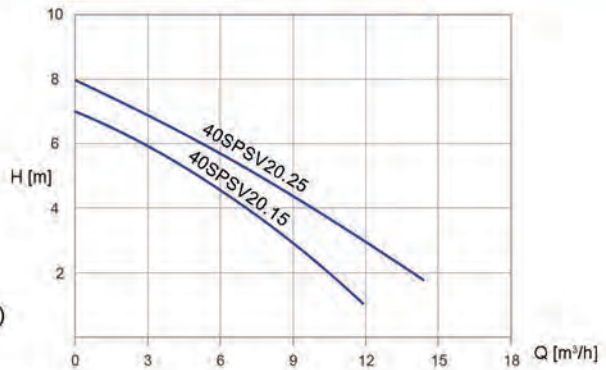


Model without ball float



Model with ball float (AG)

SELECTION CHART



SPECIFICATION

Pump	Discharge Diameter (mm)	40	
	Type of Liquid	Waste water	
	Temperature	0°C ~ 40°C	
	Maximum Depth	10m	
	Structure	Impeller	Semi-open
		Mechanical Seal	Double mechanical seal
		Bearing	Ball type bearing
Material	Casing	Cast Iron	
	Impeller	ABS + Glass Fiber	
	Shaft	Stainless Steel	
	Mechanical Seal	CA/CE	
Motor	Type	Dry Motor	
	Pole	2 - Pole	
	Phase	1 Phase	
	Insulation	Class E	
	Frequency	50 Hz	
	Protector	Built in Auto-cut device	

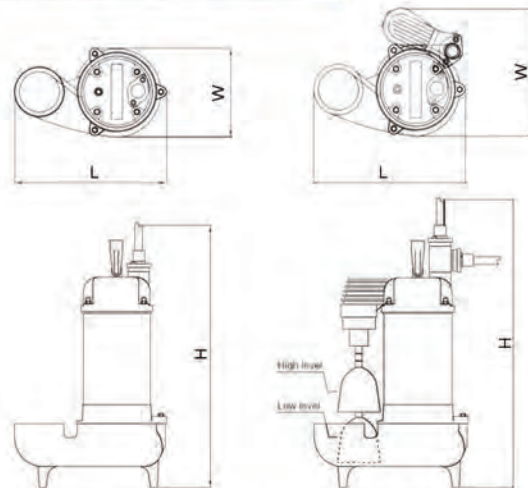
FEATURES

- Oil Chamber design to ensure mechanical seal long service life
- Suspended impeller design, non-clogging

APPLICATIONS

- Discharge water
- Livestock production
- Sprinkling
- Sump pit

SECTIONAL DRAWING



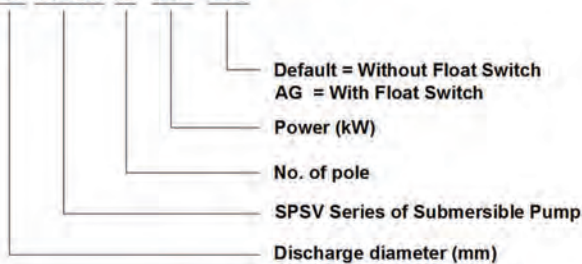
Model without ball float

Model with ball float (AG)

*The drawings are for reference only

DEFINITION OF MODEL

40 SPSV 2 0.15 AG



DIMENSION & WEIGHT

Discharge Dia.	Model	Power (kW)	No. of Pole	Phase (Φ)	Starting Method	Cable Length (m)	Solid Passage (mm)	Dimension (mm)			
								L	W	H	Weight (kg)
40	40SPSV20.15	0.15	2P	1Φ	DOL	5	25	213	130	314	6.7
40	40SPSV20.15AG	0.15	2P	1Φ	DOL	5	25	213	210	350	7.2
40	40SPSV20.25	0.25	2P	1Φ	DOL	5	25	213	130	324	7.1
40	40SPSV20.25AG	0.25	2P	1Φ	DOL	5	25	213	210	360	7.6

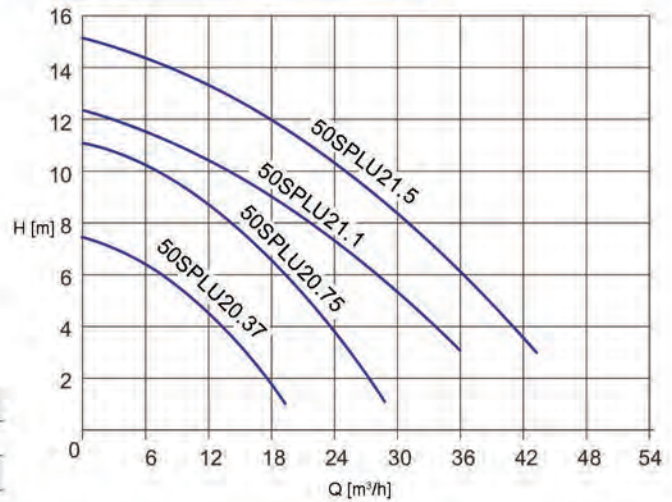
SPLU SERIES



SPECIFICATION

Pump	Discharge Diameter (mm)	50	
	Type of Liquid	Waste water, sewage, rain water	
	Temperature	0°C ~ 40°C	
	Maximum Depth	10m	
	Structure	Impeller	Semi-open
		Mechanical Seal	Double mechanical seal
		Bearing	Ball type bearing
	Material	Casing	Cast Iron
		Impeller	Cast Iron
		Shaft	Stainless Steel
Mechanical Seal		Lower : Sic / Sic ; Upper : CA/CE	
Protector	Built in Auto-cut device		
Motor	Type	Dry Motor	
	Pole	2 - Pole	
	Phase	1 Phase / 3 Phase	
	Insulation	Class B	
	Protection	IP68	
	Frequency	50 Hz	
	Protector	Thermal protector (1-ph) Overload protector (3-ph)	

SELECTION CHART



FEATURES

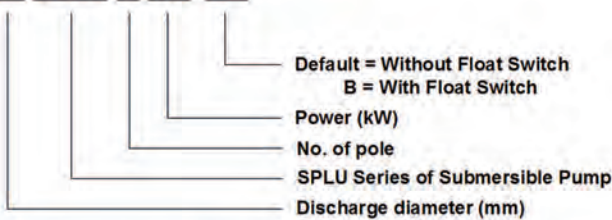
- Vortex impeller
- Stainless steel motor housing
- 2" (50mm) solid free passage

APPLICATIONS

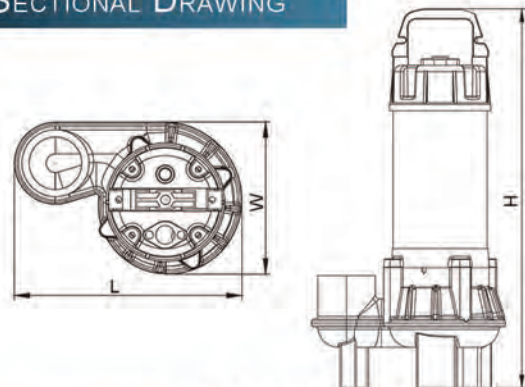
- For heavy duty applications with soiled biological waste water, sewage and rain water
- For domestic use

DEFINITION OF MODEL

50 SPLU 2 1.5 B



SECTIONAL DRAWING



*The drawings are for reference only

DIMENSION & WEIGHT

Discharge Dia.	Model	Power (kW)	No. of Pole	Phase (Φ)	Starting Method	Cable Length (m)	Solid Passage (mm)	Dimension (mm)			
								L	W	H	Weight (kg)
50	50SPLU20.37	0.37	2P	1Φ/ 3Φ	DOL	5	50	244	164	466	14
50	50SPLU20.75	0.75	2P	1Φ/ 3Φ	DOL	5	50	244	164	496	16.5
50	50SPLU21.1	1.1	2P	1Φ/ 3Φ	DOL	5	50	271	186	506	25
50	50SPLU21.5	1.5	2P	1Φ/ 3Φ	DOL	5	50	271	186	520	26

※ For 1 Phase, all pumps can be equipped with float switch upon request.
 ※ For 3 Phase, only the pump with 1.1kW or 1.5kW can be equipped with float switch upon request.

JOB REFERENCES



香港房屋署



機電工程署



建築署



香港房屋協會



信和集團



恆基地產



港鐵



九巴服務 日日進步
九龍巴士廠



昂坪360



領匯



明愛醫院



香港電燈



港安醫院



香港海洋公園



香港大學



中文大學



科技大學



城市大學



理工大學



浸會大學



嶺南大學



公開大學





SPV SERIES



SPLV SERIES



SUBMERSIBLE PUMP SERIES



SPE, SPI, SPS SERIES



SUPERPOWER PUMPING ENGINEERING CO., LTD

G/F., Times Tower, 928-930 Cheung Sha Wan Road, Kowloon, Hong Kong

Sales Hotline: (852) 2746 4933

Fax: (852) 2786 2307

Website: www.sppump.com

Email: info@sppump.com



ISO 9001



ISO 14001



OHSAS 18001



WASTEWISE



CARING COMPANY

While the production techniques continue to improve, designs and materials used for the products may thus be varied from time to time. No further notice will be provided.

Rev. 07/2018